



**Instruction Manual
Refrigerator-freezer**

MODEL: GRMF330IX

CONTENTS

1 Safety warnings	
1.1 Warning	1-2
1.2 Meanings of safety warning symbols	3
1.3 Electricity related warnings	3
1.4 Warnings for using	4
1.5 Warnings for placement	4
1.6 Warnings for energy	5
1.7 Warnings for disposal	5
2 Proper use of the refrigerator	
2.1 Placement	6
2.2 Levelling feet	7
2.3 Door right-left change	7-10
2.4 Changing the Light	11
2.5 Starting	11
2.6 Energy saving tips	11
3 Structure and functions	
3.1 Key components	12
3.2 Functions	13
4 Maintenance and care of the refrigerator	
4.1 Overall cleaning	14
4.2 Cleaning glass shelf	14
4.3 Defrosting	15
4.4 Out of operation	15
5 Trouble shooting	16
6 Parameters	18

1 Safety Warnings

1.1 WARNING



Warning: risk of fire / flammable materials

THIS appliance is intended to be used in household and similar applications such as staff kitchen areas in shops, offices and other working environments; farm houses and by clients in hotels, motels and other residential type environments; bed and breakfast type environments; catering and similar nonretail applications.

THIS appliance is not intended for use by persons (including children) with reduced physical, sensory or mental capabilities, or lack of experience and knowledge, unless they have been given supervision or instruction concerning use of the appliance by a person responsible for their safety.)

CHILDREN should be supervised to ensure that they do not play with the appliance.

If the supply cord is damaged, it must be replaced by the manufacturer, its service agent or similarly qualified persons in order to avoid a hazard.

DO not store explosive substances such as aerosol cans with a flammable propellant in this appliance.

THE appliance has to be unplugged after use and before carrying out user maintenance on the appliance.

WARNING: Keep ventilation openings, in the appliance enclosure or in the built-in structure, clear of obstruction.

WARNING: Do not use mechanical devices or other means to accelerate the defrosting process, other than those recommended by the manufacturer.

WARNING: Do not damage the refrigerant circuit.

WARNING: Do not use electrical appliances inside the food storage compartments of the appliance, unless they are of the type recommended by the manufacturer.

WARNING: Please abandon the refrigerator according to local regulators for its use flammable blowing gas and refrigerant.

WARNING: When positioning the appliance, ensure the supply cord is not trapped or damaged.

WARNING: Do not locate multiple portable socket-outlets or portable power supplies at the rear of the appliance.

DO not use extension cords or ungrounded (two prong) adapters.

WARNING: Risk of child entrapment. Before you throw away your old refrigerator or freezer:

-Take off the doors.

-Leave the shelves in place so that children may not easily climb inside.

THE refrigerator must be disconnected from the source of electrical supply before attempting the installation of accessory.

REFRIGERANT and cyclopentane foaming material used for the appliance are flammable. Therefore, when the appliance is scrapped, it shall be kept away from any fire source and be recovered by a special recovering company with corresponding qualification other than be disposed by combustion, so as to prevent damage to the environment or any other harm.

FOR EN standard: This appliance can be used by children aged from 8 years and above and persons with reduce physical sensory or mental capabilities or lack of experience and knowledge if they have been given supervision or instruction concerning use of the appliance in a safe way and understand the hazards involved. Children shall not play with the appliance. Cleaning and user maintenance shall not be made by children without supervision. Children aged from 3 to 8 years are allowed to load and unload refrigerating appliances.

THE necessity that, for doors or lids fitted with locks and keys, the keys be kept out of the reach of children and not in the vicinity of the refrigerating appliance, in order to prevent children from being locked inside.

TO avoid contamination of food, please respect the following instructions:

- Opening the door for long periods can cause a significant increase of the temperature in the compartments of the appliance.
- Clean regularly surfaces that can come in contact with food and accessible drainage systems.
- Clean water tanks if they have not been used for 48 h; flush the water system connected to a water supply if water has not been drawn for 5 days. (note 1)
- Store raw meat and fish in suitable containers in the refrigerator, so that it is not in contact with or drip onto other food.
- Two-star frozen-food compartments are suitable for storing pre frozen food, storing or making ice-cream and making ice cubes. (note 2)
- One-, two- and three-star compartments are not suitable for the freezing of fresh food. (note 3)
- For appliances without a 4 star compartment: this refrigerating appliance is not suitable for freezing foodstuffs. (note 4)
- If the refrigerating appliance is left empty for long periods, switch off, defrost, clean, dry, and leave the door open to prevent mould developing within the appliance.

Note 1,2,3,4: Please confirm whether it is applicable according to your product compartment type.

FOR a freestanding appliance: this refrigerating appliance is not intended to be used as a built-in appliance.

ANY replacement or maintenance of the LED lamp is intended to be made by the manufacturer, its service agent or similar qualified person.

WARNING: To avoid a hazard due to instability of the appliance, it must be fixed in accordance with the instructions.

WARNING: Connect to potable water supply only. (Suitable for ice making machine).

TO prevent a Child from being entrapped, keep out of reach of Children and not in the vicinity of freezer (or refrigerator). (Suitable for products with locks).

In case the refrigerant circuit is damaged, do not use any electric appliances or fire equipment nearby, and open all windows to provide good ventilation. Please also contact your local maintenance agent to follow up.

The user manual should be handed over to any person who would use or handle the refrigerator whenever the refrigerator would be transferred to another location and delivered to a recycling plant.

1.2 Meaning of safety warning symbols



Prohibition symbol

This is a prohibition symbol.

Any in compliance with instructions marked with this symbol may result in damage to the product or endanger the personal safety of the user.



Warning symbol

This is a warning symbol.

It is required to operate in strict observance of instructions marked with this symbol; or otherwise damage to the product or personal injury may be caused.



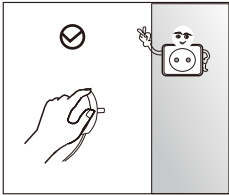
Note symbol

This is a cautioning symbol.

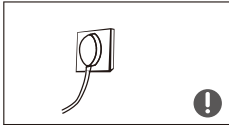
Instructions marked with this symbol require special caution. Insufficient caution may result in slight or moderate injury, or damage to the product.

This manual contains lots of important safety information which shall be observed by the users.

1.3 Electricity related warnings



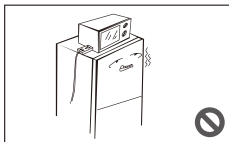
- Do not pull the power cord when pulling the power plug of the refrigerator. Please firmly grasp the plug and pull out it from the socket directly.
- To ensure safe use, do not damage the power cord or use the power cord when it is damaged or worn.



- Please use a dedicated power socket and the power socket shall not be shared with other electrical appliances. The power plug should be firmly contacted with the socket or else fires might be caused.
- Please ensure that the grounding electrode of the power socket is equipped with a reliable grounding line.

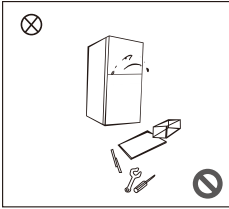


- Please turn off the valve of the leaking gas and then open the doors and windows in case of leakage of gas and other flammable gases. Do not unplug the refrigerator and other electrical appliances considering that spark may cause a fire.

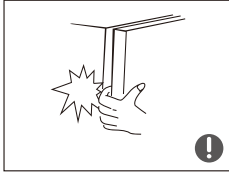


- Do not use electrical appliances on the top of the appliance, unless they are of the type recommended by the manufacturer.

1.4 Warnings for using



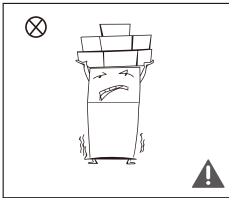
- Do not arbitrarily disassemble or reconstruct the refrigerator, nor damage the refrigerant circuit; maintenance of the appliance must be conducted by a specialist
- Damaged power cord must be replaced by the manufacturer, its maintenance department or related professionals in order to avoid danger.



- The gaps between refrigerator doors and between doors and refrigerator body are small, be noted not to put your hand in these areas to prevent from squeezing the finger. Please be gentle when close the refrigerator door to avoid falling articles.
- Do not pick foods or containers with wet hands in the freezing chamber when the refrigerator is running, especially metal containers in order to avoid frostbite.

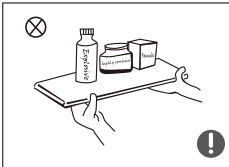


- Do not allow any child to get into or climb the refrigerator; otherwise suffocation or falling injury of the child may be caused.

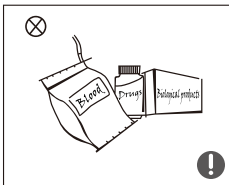


- Do not place heavy objects on the top of the refrigerator considering that objects may fall when close or open the door, and accidental injuries might be caused.

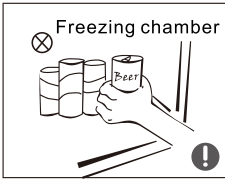
1.5 Warnings for placement



- Do not put flammable, explosive, volatile and highly corrosive items in the refrigerator to prevent damages to the product or fire accidents.
- Do not place flammable items near the refrigerator to avoid fires.



- The refrigerator is intended for household use, such as storage of foods; it shall not be used for other purposes, such as storage of blood, drugs or biological products, etc.



- Do not store beer, beverage or other fluid contained in bottles or enclosed containers in the freezing chamber of the refrigerator; or otherwise the bottles or enclosed containers may crack due to freezing to cause damages.

1.6 Warnings for energy

Warning for energy

- 1) Refrigerating appliances might not operate consistently (possibility of defrosting of contents or temperature becoming too warm in the frozen food compartment) when sited for an extended period of time below the cold end of the range of temperatures for which the refrigerating appliance is designed.
- 2) The fact that effervescent drinks should not be stored in food freezer compartments or cabinets or in low-temperature compartments or cabinets, and that some products such as water ices should not be consumed too cold;
- 3) The need to not exceed the storage time(s) recommended by the food manufacturers for any kind of food and particularly for commercially quick-frozen food in food-freezer and frozen-food storage compartments or cabinets;
- 4) The precautions necessary to prevent an undue rise in the temperature of the frozen food while defrosting the refrigerating appliance, such as wrapping the frozen food in several layers of newspaper.
- 5) The fact that a rise in temperature of the frozen food during manual defrosting, maintenance or cleaning could shorten the storage life.
- 6) The necessity that, for doors or lids fitted with locks and keys, the keys be kept out of the reach of children and not in the vicinity of the refrigerating appliance, in order to prevent children from being locked inside.

1.7 Warnings for disposal

Refrigerant and cyclopentane foaming material used for the refrigerator are flammable. Therefore, when the refrigerator is scrapped, it shall be kept away from any fire source and be recovered by a special recovering company with corresponding qualification other than be disposed by combustion, so as to prevent damage to the environment or any other harm.

When the refrigerator is scrapped, disassemble the doors, and remove gasket of door and shelves; put the doors and shelves in a proper place, so as to prevent trapping of any child.

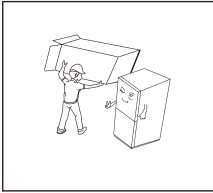


Correct Disposal of this product :

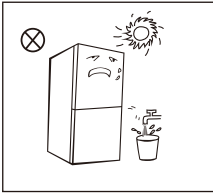
This marking indicates that this product should not be disposed with other household wastes. To prevent possible harm to the environment or human health from uncontrolled waste disposal, recycle it responsibly to promote the sustainable reuse of material resources. To return your used device, please use the return and collection systems or contact the retailer where the product was purchased. They can take this product for environmental safe recycling.

2 Proper use of the refrigerator

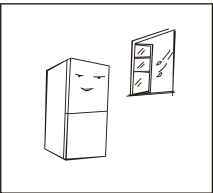
2.1 Placement



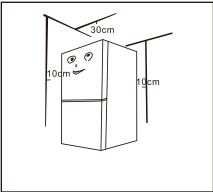
- Before use, remove all packing materials, including bottom cushions, foam pads and tapes inside of the refrigerator; tear off the protective film on the doors and the refrigerator body.



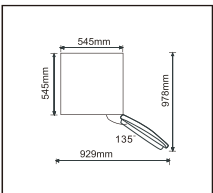
- Keep away from heat and avoid direct sunlight. Do not place the freezer in moist or watery places to prevent rust or reduction of insulating effect.
- Do not spray or wash the refrigerator; do not put the refrigerator in moist places easy to be splashed with water so as not to affect the electrical insulation properties of the refrigerator.



- The refrigerator is placed in a well-ventilated indoor place; the ground shall be flat, and sturdy (rotate left or right to adjust the wheel for levelling if unstable).



- This refrigerator needs to be installed independently and cannot be used as a built-in. Otherwise, it will cause problems such as failure to install into the cabinet, the performance and life of the product are reduced. And the manufacturer does not provide basic product warranty.
- The top space of the refrigerator shall be greater than 30cm, and the refrigerator should be placed against a wall with a free distance more than 10cm to facilitate heat dissipation.



- Spare enough space for convenient opening of the doors and drawers or statement by the distributor.

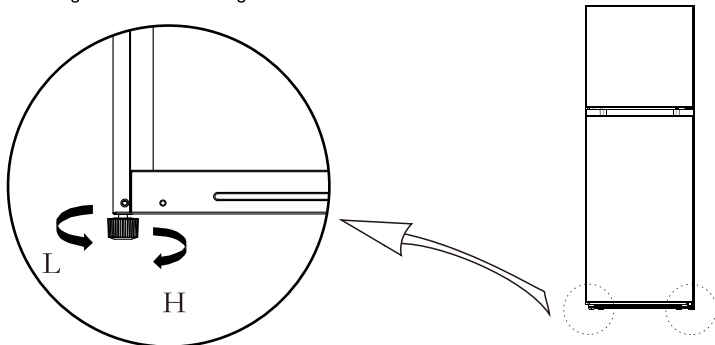
ⓘ Precautions before installation:

Before installation or adjusting of accessories, it shall be ensured that the refrigerator is disconnected from power.

Precautions shall be taken to prevent fall of the handle from causing any personal injury.

2.2 Leveling feet

Schematic diagram of the leveling feet







(The picture above is only for reference. The actual configuration will depend on the physical product or statement by the distributor)

Adjusting procedures:

- Turn the feet clockwise to raise the refrigerator;
- Turn the feet counterclockwise to lower the refrigerator;
- Adjust the right and left feet based on the procedures above to a horizontal level.

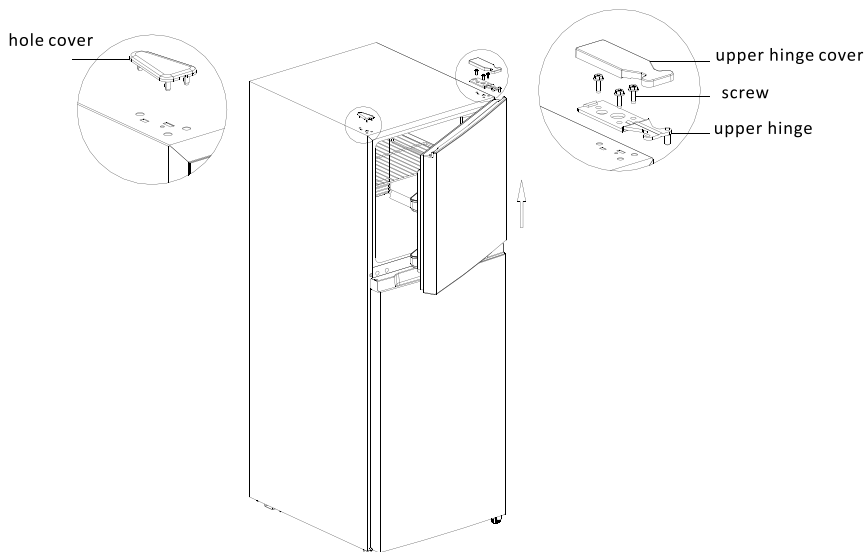
2.3 Door Right-Left Change

List of tools to be provided by the user			
	Cross screwdriver		Putty knife thin-blade screwdriver
	5/16" socket and ratchet		Masking tape

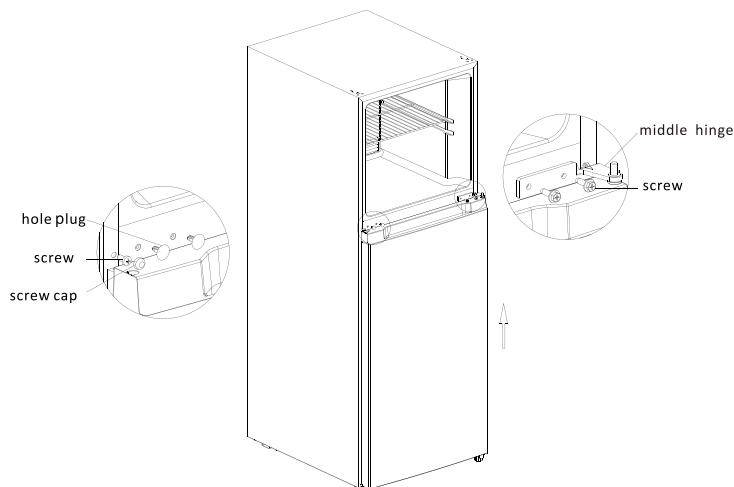
Parts to be used for door reverse			
SN	part	Quantity	Notes
1	Right upper hinge	1	Pre-installed on the refrigerator and to be used when changing the door
2	Right upper hinge cover	1	Pre-installed on the refrigerator and to be used when changing the door
3	Upper hinge axle sleeve	1	Pre-installed on the refrigerator and to be used when changing the door
4	Upper hinge screw	3	Pre-installed on the refrigerator and to be used when changing the door
5	Hole cover	1	Pre-installed on the refrigerator and to be used when changing the door
6	Middle hinge screw	2	Pre-installed on the refrigerator and to be used when changing the door
7	Middle hinge	1	Pre-installed on the refrigerator and to be used when changing the door
8	Hole plug	2	Pre-installed on the refrigerator and to be used when changing the door
9	Middle beam screw	1	Pre-installed on the refrigerator and to be used when changing the door
10	Middle beam screw cap	1	Pre-installed on the refrigerator and to be used when changing the door
11	Adjustable foot	1	Pre-installed on the refrigerator and to be used when changing the door
12	Lower hinge screw	3	Pre-installed on the refrigerator and to be used when changing the door
13	Lower hinge assembly	1	Pre-installed on the refrigerator and to be used when changing the door
14	Lower end cover screw of freezing door	1	Pre-installed on the refrigerator and to be used when changing the door
15	Lower end cover limiting block of freezing door	1	Pre-installed on the refrigerator and to be used when changing the door
16	Lower end cover screw of refrigerate door	1	Pre-installed on the refrigerator and to be used when changing the door
17	Lower end cover limiting block of refrigerate door	1	Pre-installed on the refrigerator and to be used when changing the door
18	Upper end cover axle sleeve of refrigerate door	1	Pre-installed on the refrigerator and to be used when changing the door

1) Please power off this appliance before conduct this operation. Remove all food from door shelves.

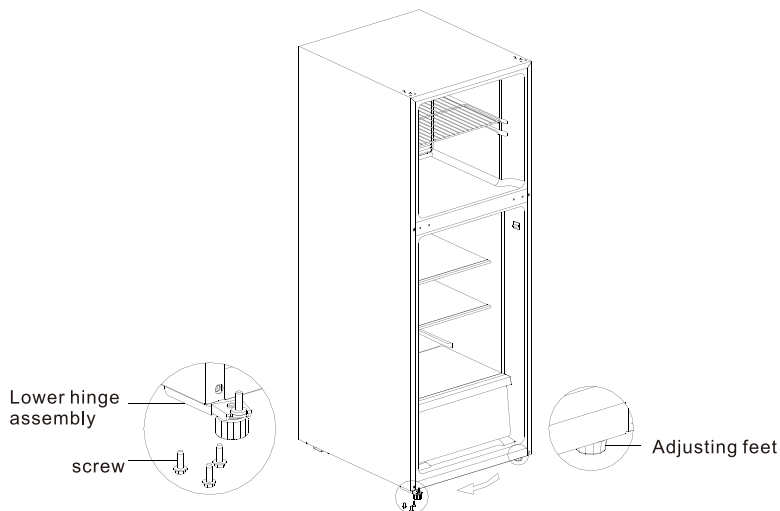
2) Remove hole cap, the upper hinge cover, fitting screws of upper hinge, upper hinge and sleeve pipe, then uplift the freezer door until it is separated from cabinet completely.



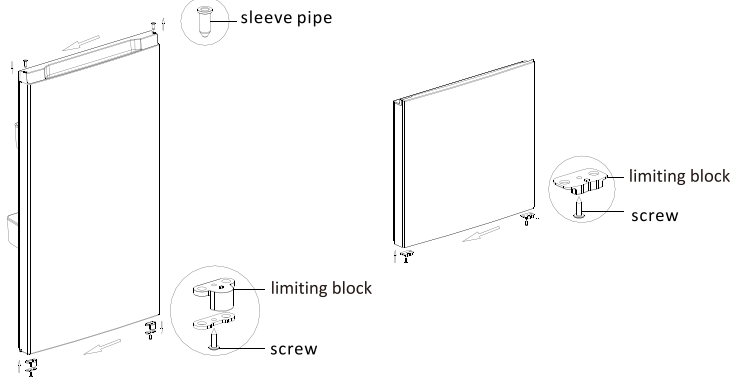
3) Unscrew the middle hinge screws, remove the middle hinge, and remove the two hole plug, a screw, a screw cap on the middle beam, then remove the refrigerator door.



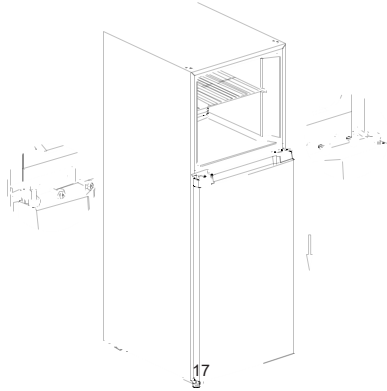
4) Remove the adjusting feet, lower hinge screw and lower hinge assembly, then install the lower hinge assembly on the other side of the box and install the adjusting feet on the side of the adjusting feet opening.



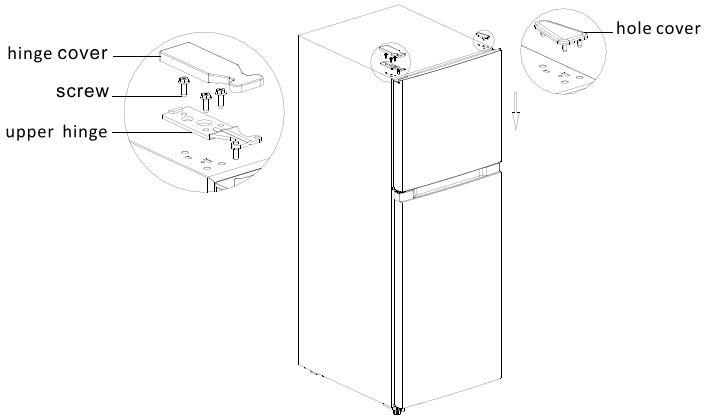
5) Dismantle the limiting blocks and screws on the lower cover of both refrigerator door and freezing door, install them on the other side of both doors; then install the sleeve pipe on the upper cover of the refrigerator door on the other side.



6) Install the refrigerator door on the lower hinge and then install the middle hinge and hole caps.

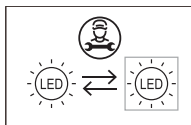


7) Install the freezing door on the middle hinge, and install the upper hinge, hinge cover and hole cover.



(The picture above is only for reference. The actual configuration will depend on the physical product or statement by the distributor)

2.4 Changing the Light

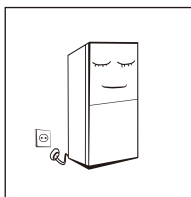


- Any replacement or maintenance of the LED lamps is intended to be made by the manufacturer, its service agent or similar qualified person.

Light source in this product is replaceable only by qualified engineers.

	<p>1. Please take out the plug before removal.</p>		<p>2. Remove the lampshade with a screwdriver.</p>
	<p>3. Take down the lamp panel.</p>		<p>4. Remove the connection terminal.</p>

2.5 Starting



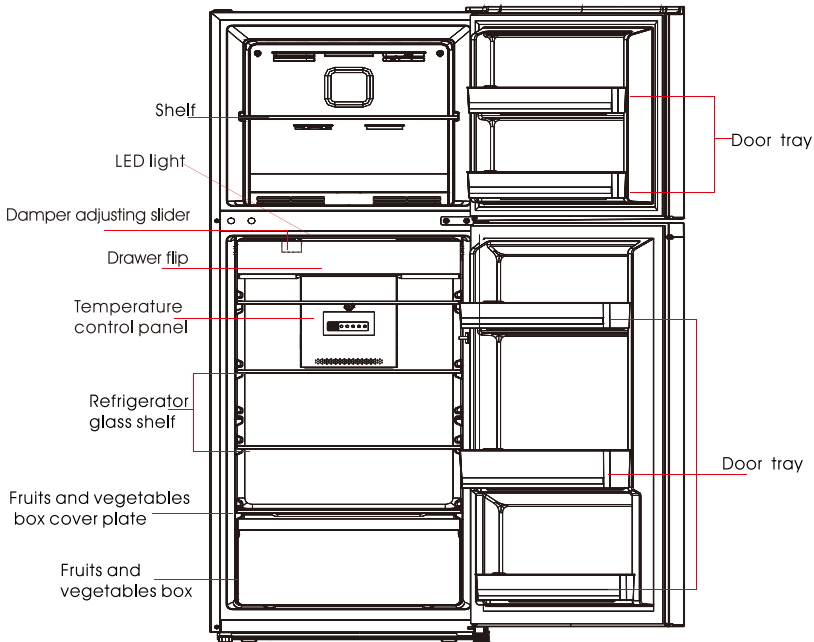
- After transportation, please let the product stay for more than 2 hours before turning on the power, otherwise it will lead to a decrease in cooling capacity or a damage to the product.
- Before putting any fresh or frozen foods, the refrigerator shall have run for 2-3 hours, or for above 4 hours in summer when the ambient temperature is high.
- Please pull out the plug in case of power failure or cleaning. Do not connect the freezer to power supply within five minutes to prevent damages to the compressor due to successive starts.

2.6 Energy saving tips

- The appliance should be located in the coolest area of the room, away from heat producing appliances or heating ducts, and out of the direct sunlight.
- Let hot foods cool to room temperature before placing in the appliance. Overloading the appliance forces the compressor to run longer. Foods that freeze too slowly may lose quality, or spoil.
- Be sure to wrap foods properly, and wipe containers dry before placing them in the appliance. This cuts down on frost build-up inside the appliance.
- Appliance storage bin should not be lined with aluminum foil, wax paper, or paper toweling. Liners interfere with cold air circulation, making the appliance less efficient.
- Organize and label food to reduce door openings and extended searches. Remove as many items as needed at one time, and close the door as soon as possible.

3 Structure and functions

3.1 Key components



(The picture above is only for reference. The actual configuration will depend on the physical product or statement by the distributor)

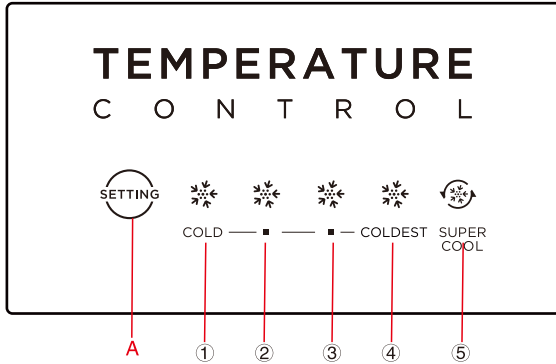
Refrigerating chamber

- The Refrigerating Chamber is suitable for storage of a variety of fruits, vegetables, beverages and other food consumed in the short term.
- Cooking foods shall not be put in the refrigerating chamber until cooled to room temperature.
- Foods are recommended to be sealed up before putting into the refrigerator.
- The glass shelves can be adjusted up or down for a reasonable amount of storage space and easy use.

Freezing chamber

- The low temperature freezing chamber may keep food fresh for a long time and it is mainly used to store frozen foods and making ice.
- The freezing chamber is suitable for storage of meat, fish, rice balls and other foods not to be consumed in short term.
- Chunks of meat are preferably to be divided into small pieces for quick freezing and easy access. Please be noted food shall be consumed within the shelf time.

3.2 Functions



Notes:

(The picture above is only for reference. The actual configuration will depend on the physical product or statement by the distributor)

1)Setting button

A: Setting button

2)Display screen

LED: ① gear(COLD)

LED: ② gear

LED: ③ gear

LED: ④ gear (COLDEST)

LED: ⑤ gear(SUPER COOL)

3)Display

When the refrigerator is on power, the display screen all LED light for 3 seconds, the default temperature is MID(③ gear).

When there is a failure, the LED light shows the fault code (loop display), the LED light displays as following table:

Error code	Error description
LED①,②flashing	Temperature sensor failure of refrigerating chamber
LED①,③ flashing	Defrost temperature sensor failure of freezing chamber
LED①,④ flashing	The ambient temperature sensor failure

4)Gear setting

Every time you press setting button, the gear changes once, after setting the gear15s, the refrigerator will run according to the setting value.

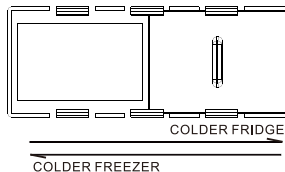
Gear adjustment to:



5)Memory Function

The refrigerator can keep memory of following running status when power off.

6)Damper adjusting slider



The initial position of the damper adjusting slider is on the far right side.

For better user experienc, it is recommended to push the slider to right position, and turn the SETTING KEY to MID position. If it is not enough cool inside the refrigerator compartment, please check whether the slider is in left position, turn the slider to the right side.

Note: The quick-freezing function is designed to maintain the nutritional value of the food in the freezer. It can freeze the food in the shortest time. If a large amount of food is frozen at one time, it is recommended that the user turn on the quick-freezing function and put the food in. At this time, the freezing speed of the freezer compartment is increased, which can quickly freeze the food, effectively lock the nutrition of the food, and facilitate storage.

4 Maintenance and care of the refrigerator

4.1 Overall cleaning

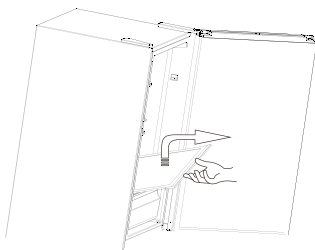
- Dusts behind the refrigerator and on the ground shall be timely cleaned to improve the cooling effect and energy saving.
- Check the door gasket regularly to make sure there are no debris. Clean the door gasket with a soft cloth dampened with soapy water or diluted detergent.
- The interior of the refrigerator should be cleaned regularly to avoid odor.
- Please turn off the power before cleaning interior, remove all foods, drinks ,shelves, drawers, etc.
- Use a soft cloth or sponge to clean the inside of the refrigerator, with two tablespoons of baking soda and a quart of warm water. Then rinse with water and wipe clean. After cleaning, open the door and let it dry naturally before turning on the power.
- For areas that are difficult to clean in the refrigerator (such as narrow sandwiches, gaps or corners), it is recommended to wipe them regularly with a soft rag, soft brush, etc. and when necessary, combined with some auxiliary tools (such as thin sticks) to ensure no contaminants or bacterials accumulation in these areas.
- Do not use soap, detergent, scrub powder, spray cleaner, etc., as these may cause odors in the interior of the refrigerator or contaminated food.
- Clean the bottle frame, shelves and drawers with a soft cloth dampened with soapy water or diluted detergent. Dry with a soft cloth or dry naturally.
- Wipe the outer surface of the refrigerator with a soft cloth dampened with soapy water, detergent, etc., and then wipe dry.
- Do not use hard brushes, clean steel balls, wire brushes, abrasives (such as toothpastes), organic solvents (such as alcohol, acetone, banana oil, etc.), boiling water, acid or alkaline items, which may damage the fridge surface and interior. Boiling water and organic solvents such as benzene may deform or damage plastic parts.
- Do not rinse directly with water or other liquids during cleaning to avoid short circuits or affect electrical insulation after immersion.

 Please unplug the refrigerator for defrost and cleaning.



4.2 Cleaning the glass shelf

- Lift up the front of glass shelf, and then pull out;
- Remove the glass shelf and clean as needed;
- The reverse operation is for installation of glass shelf.



4.3 Defrosting

- The refrigerator is made based on the air-cooling principle and thus has automatic defrosting function. Frost formed due to change of season or temperature may also be manually removed by disconnection of the appliance from power supply or by wiping with a dry towel.

4.4 Out of operation

- Power failure: In case of power failure, even if it is in summer, foods inside the appliance can be kept for several hours; during the power failure, the times of door opening shall be reduced, and no more fresh food shall be put into the appliance.
- Long-time nonuse: The appliance shall be unplugged and then cleaned; then the doors are left open to prevent odor.
- Moving: Before the refrigerator is moved, take all objects inside out, fix the glass partitions, vegetable holder, freezing chamber drawers and etc. with tape, and tighten the leveling feet; close the doors and fix them with tape. During moving, the appliance shall not be laid upside down or horizontally, or be vibrated; the inclination during movement shall be no more than 45°.



The appliance shall run continuously once it is started. Generally, the operation of the appliance shall not be interrupted; otherwise the service life may be impaired.

5 Trouble shooting

You may try to solve the following simple problems by yourself. If them cannot be solved, please contact the after-sales department.

Failed operation	<p>Check whether the appliance is connected to power or whether the plug is in well contact .</p> <p>Check whether the voltage is too low.</p> <p>Check whether there is a power failure or partial circuits have tripped.</p>
Odor	<p>Odorous foods shall be tightly wrapped.</p> <p>Check whether there is any rotten food.</p> <p>Clean the inside of the refrigerator.</p>
Long-time operation of the compressor	<p>Long operation of the refrigerator is normal in summer when the ambient temperature is high.</p> <p>It is not recommended having too much food in the appliance at the same time.</p> <p>Food shall get cool before being put into the appliance.</p> <p>The doors are opened too frequently.</p>
Light fails to get lit	<p>Check whether the refrigerator is connected to power supply and whether the illuminating light is damaged.</p>
Doors cannot be properly closed	<p>The door is stuck by food packages.</p> <p>The refrigerator is tilted.</p>
Loud noise	<p>Check whether the floor is level and whether the refrigerator is placed stably.</p> <p>Check whether accessories are placed at proper locations.</p>
Door seal fails to be tight	<p>Remove foreign matters on the door seal.</p> <p>Heat the door seal and then cool it for restoration (or blow it with an electrical drier or use a hot towel for heating).</p>
Water pan overflows	<p>There is too much food in the chamber or food stored contains too much water,resulting in heavy defrosting.</p> <p>The doors are not closed properly, resulting in frosting due to entry of air and increased water due to defrosting.</p>
Hot cabinet	<p>Heat dissipation of the built-in condenser via the housing, which is normal.</p> <p>When housing becomes hot due to high ambient temperature and storage of too much food,it is recommended to provide sound ventilation to facilitate heat dissipation.</p>
Surface condensation	<p>Condensation on the exterior surface and door seals of the refrigerator is normal when the ambient humidity is too high. Just wipe the condensate with a clean towel.</p>
Abnormal noise	<p>Buzz: The compressor may produce buzzes during operation, and the buzzes are loud particularly upon start or stop. This is normal.</p> <p>Creak: Refrigerant flowing inside of the appliance may produce creak, which is normal.</p>

Table 1 Climate classes

Class	Symbol	Ambient temperature range °C
Extended temperature	SN	+ 10 to + 32
Temperature	N	+ 16 to + 32
Subtropical	ST	+ 16 to + 38
Tropical	T	+ 16 to + 43

Extended temperature: 'this refrigerating appliance is intended to be used at ambient temperatures ranging from 10 °C to 32 °C';

Temperature: 'this refrigerating appliance is intended to be used at ambient temperatures ranging from 16 °C to 32 °C';

Subtropical: 'this refrigerating appliance is intended to be used at ambient temperatures ranging from 16 °C to 38 °C';

Tropical: 'this refrigerating appliance is intended to be used at ambient temperatures ranging from 16 °C to 43 °C';

Special for new European standard:

The ordered parts in the following table can be acquired from channel _:

Ordered Part	Provided by	Minimum Time Required for Provision
thermostats	Professional maintenance personnel	At least 7 years after the last model is launched on the market
temperature sensors	Professional maintenance personnel	At least 7 years after the last model is launched on the market
printed circuit boards	Professional maintenance personnel	At least 7 years after the last model is launched on the market
light sources	Professional maintenance personnel	At least 7 years after the last model is launched on the market
door handles	Professional repairers and final users	At least 7 years after the last model is launched on the market
door hinges	Professional repairers and final users	At least 7 years after the last model is launched on the market
trays	Professional repairers and final users	At least 7 years after the last model is launched on the market
baskets	Professional repairers and final users	At least 7 years after the last model is launched on the market
door gaskets	Professional repairers and final users	At least 10 years after the last model is launched on the market

- The shortest period for providing after-sales spare parts is 15 working days.
- The model information and model identification in the product database can be obtained by scanning the web link on the QR code (if any) on the product energy efficiency label.

Dear customer

1. If you want to return or replace the product, please contact the store where you buy.
(Remember to bring the purchase invoice)

2. If your product breaks down which needs to repair, please contact after-sales service provider.

Telephone:

Email address:

SPECIFICATIONS AND PARAMETERS

Model		GRMF330IX
Climate class		ST
Electric shock protection type		I
Capacity (L)	Two-star freezer	\
	Freezer	61
	Refrigerator	176
Voltage (V)		220-240
Frequency (Hz)		50
Current (A)		1.2
Voice [dB(A)]		≤43
Energy consumption (kWh/year)		236
Refrigerant		R600a/42g
Weight (kg)		46
Interior temperature (°C)	Freezer	\
	Refrigerator	\
Dimension(mm)	Width	545
	Depth	610
	Height	1522

Note: Products are subject to improve from time to time, any changes in parts without further notice.



使用說明書

環保雙門無霜雪櫃

型號:GRMF330IX

目錄

1 安全警告事項	
1.1 警告	1-2
1.2 安全警示符號代表意義	3
1.3 用電類相關事項	3
1.4 使用時相關事項	4
1.5 放置物品相關事項	4
1.6 能耗警示	5
1.7 廢棄時相關事項	5
2 如何正確使用雪櫃	
2.1 正確放置雪櫃	6
2.2 調平櫃腳	7
2.3 左右換門	7-10
2.4 燈部品更換	10
2.5 啟動	10
2.6 節能提示	10
3 雪櫃結構和功能	
3.1 關鍵部件	11
3.2 功能介紹	12
4 雪櫃的維護及保養	
4.1 整體清潔	13
4.2 玻璃層架清潔	13
4.3 除霜	14
4.4 停止使用時	14
5 答疑解惑	15
6 參數	16

1 安全警告事項

1.1 警告



火災/易燃材料警告

本設備設計只用於家用，並不適用於如商店、辦公室和其它工作環境中的員工廚房區域；農舍以及酒店、汽車旅館和其它住宅環境中的客戶；住宿加早餐型環境；餐飲業和類似的非零售行業。

本設備不適用於身體、感官或精神能力較弱或缺乏經驗和知識的人（包括兒童）使用，除非由負責其安全的人士對他們使用本設備進行監督或指導。

應該監督兒童，確保他們不要玩耍及不適當使用本產品。

如果電源線損壞，則必須由製造商、其服務代理商或具有類似資格的人士予以更換，以免造成危險。

請勿在本設備中存放易爆物質，例如：裝有易燃推進劑的氣霧罐。

電器在使用後和對電器進行使用者維護之前必須拔掉插頭。

警告：產品外殼或嵌入式結構中應保持通風，避免阻塞。

警告：除霜時，除非製造商明確建議，否則請勿使用任何機械設備或工具進行除霜。

警告：不要損壞製冷劑回路。

警告：除非製造商建議使用，否則請勿在其食物儲藏室內使用任何電器。

警告：如雪櫃使用易燃易爆氣體和製冷劑，請根據當地監管機構要求對其進行處置。

警告：放置設備時，確保電源線未被夾住或損壞。

警告：請勿在本產品後面放置多個可攜式插座或可攜式電源。

請勿使用延長線或不接地的（不符當地法例的插頭）適配器。

危險：兒童進入雪櫃內部，有可能會困在雪櫃裡。在扔掉舊雪櫃或冷凍機之前：

- 卸掉雪櫃門；
- 將層架保留在原地，使兒童不易在雪櫃內攀爬。

嘗試安裝任何附件之前，必須斷開雪櫃的電源。

用於設備的**製冷劑**和環戊烷泡沫材料屬易燃性材料。因此，對電器進行報廢處理時，應遠離火源，並由具有相應資質的專門回收公司進行回收，不得焚燒處理，以免破壞環境或造成其它危害。

兒童必須要有成人監督，防止兒童玩耍及不適當使用雪櫃，以防意外。

EN標準要求：8歲及以上的兒童，以及身體、感官或精神能力下降或缺乏經驗和知識的人員可在有效監督或指導並瞭解潛在危害的情況下使用本產品。請注意不要讓兒童把本產品當成玩具玩耍。兒童在未經監督的情況下不得對本產品進行清潔和維護。3至8歲的兒童可以裝卸冷藏設備。

為避免造成食物污染，請遵守以下說明：

- 長時間打開雪櫃門會導致設備隔間內的溫度顯著升高。
- 定期清潔可能與食物接觸的表面和可觸及的排水系統
- 如果48小時未使用，請清潔配水系統。如果5天未取水，請沖洗與供水系統相連的供水系統。（注1）
- 將生肉和魚放在雪櫃內適當的容器中，確保食物不會接觸到其它食物或沾染到其它食物上。
- 二星級（**）冷凍食品隔間適用於存放預凍食品、儲存或製作雪糕和製作冰塊（注2）。
- 一（*）、二（**）、三星級（***）、四星級（****）的隔間不適合冷凍生鮮（注3）。
- 如果製冷設備長期空置，請關閉電源，進行除霜、清潔、乾燥並保持雪櫃門打開，以防止設備內形成黴菌。

注1、2、3：請根據您的產品隔間類型確認是否適用。

對於獨立式設備：此製冷設備不能用作嵌入式設備。

LED燈的任何更換或維護均應由製造商、服務代理商或類似的合格人員進行更換。

警告：為避免因設備不穩定而導致任何危險，必須按照以下說明進行固定：

警告：僅連接到飲用水源。（適用於制冰機）

為防止兒童被困雪櫃內，請將其置於兒童夠不到的地方，且不要讓兒童靠近雪櫃（或冰櫃）。（適用於帶鎖的產品）

如果製冷劑迴路損壞，請勿使用任何附近的電器或消防設備，並打開所有窗戶以提供良好的通風。另請聯繫您當地的維修代理進行跟進。

無論何時將冰箱轉移到另一個地點並交付給回收廠時，都應將用戶手冊交給任何使用或處理冰箱的人。

1.2 安全警示符號代表意義



禁止符號

該符號表示禁止的事項，其行為必須禁止。不遵守指示可能會導致產品損壞或者危及使用者人身安全。



警告符號

該符號表示必須遵守的事項，其行為必須嚴格按照要求操作執行。

不遵守指示可能會導致產品損壞或者危及使用者人身安全。

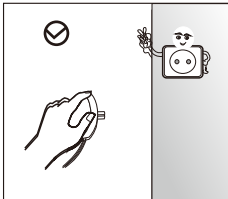


注意符號

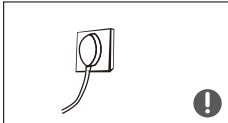
該符號表示需注意的事項，其行為需要特別注意。如果不加以防範，可能導致輕度或者中度的傷害，或造成產品損傷。

本說明書包含許多重要的安全資訊，請務必遵守所有的安全資訊。

1.3 用電類相關事項



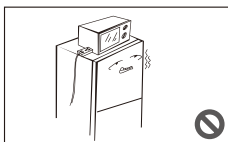
- 拔掉雪櫃的電源插頭時切勿拉扯電源線。一定要緊緊握住插頭，從插座中直接拔出。
- 為保障安全使用，任何時候請不要損壞電源線，當電源線出現破損或插頭出現磨損時，切勿使用。



- 請使用規定標準的專用電源插座，該插座不應與其它電器共用。
- 電源線插頭應保持與插座牢固接觸，否則可能導致火災。請務必保證插座的接地極應有可靠的接地線。

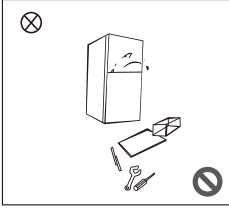


- 當煤氣等易燃氣體洩漏時，應先關閉氣體洩漏的閥門，再打開門窗，此時不要拔出電器件的插頭，以免電火花引發火災。

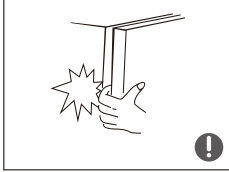


- 為保證安全，建議不要在雪櫃頂部放置電源插座、穩壓器、電飯煲、微波爐等電器；除了製造商推薦使用的類型外，不得在器具的食品儲藏室使用電器。

1.4 使用時相關事項



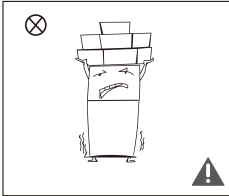
- 嚴禁私自拆卸、改造本雪櫃、禁止損壞製冷管路，維修雪櫃必須由專業人員進行。
- 如果電源軟線損壞，為了避免危險，必須由銷售商或其維護部門相關的專業人員更換。



- 門及閘之間以及門與雪櫃箱體之間間隙很小，注意不要把手伸到這些區域內，以防擠傷手指。開關雪櫃門時，用力不要過大，以免物品掉落。
- 雪櫃開始運行之後，不要用濕手去拿冷凍室內的食品或容器，特別是金屬容器，以免凍傷手。

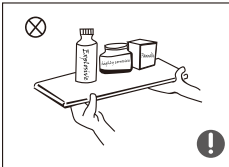


- 請勿讓兒童進入或攀爬雪櫃，以免將兒童密封在雪櫃產品內導致窒息或電器產品倒下，傷及兒童。

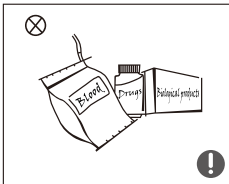


- 請不要將重物放置在雪櫃頂部，關門時易造成物品掉下，造成意外損傷。
- 停電或清潔時，應拔下電源插頭，至少保持間隔五分鐘，才能再次接通電源，以防因連續啟動而損壞壓縮機。

1.5 放置物品相關事項



- 請不要將易燃、易爆、易揮發和強腐蝕性物品放入電器，以免導致產品損壞或火災等事故。
- 請不要在雪櫃附近放置或使用可燃性物品，以免發生火災。



- 本雪櫃為家用電雪櫃，家用雪櫃只適用於儲藏食品，不能用於其它用途，如儲藏血液、藥品和生物製品等。




- 請不要將瓶裝或密封容器內的流體物品如瓶裝啤酒、飲料等放入冷凍室，以免凍結爆裂導致其它損失。


1.6 能耗警示

能耗警示

- 1) 如果雪櫃所在地點的溫度長期低於為冷凍設備設計的溫度範圍的最低溫度，則雪櫃可能無法始終正常運作（可能出現存放的食物會融化，或冷凍室的溫度變得過熱）。
- 2) 泡騰飲料不宜存放在食物冷凍室或低溫室或低溫櫃內，冰水等一些產品如不宜過冷飲用。
- 3) 任何種類食品的儲存時間不得超出食品製造商推薦的儲藏時間，尤其是放在食品冷櫃和冷凍食品儲藏室或儲藏櫃內的速凍食品；
- 4) 在對製冷設備進行除霜時，須採取必要措施，比如用幾層報紙包裹冷凍食品，以防冷凍食品溫度過度升高。
- 5) 在手動除霜、維護或清潔時，所凍結食品的溫度升高可能會縮短儲存期。
- 6) 對於裝有鎖和鑰匙的門或蓋子，必須將鑰匙放在兒童碰不到的地方，也不能放在雪櫃附近，以防止兒童進入雪櫃被鎖在裡面。

1.7 廢棄時相關事項

 該雪櫃使用的製冷劑和環戊烷發泡材料均為可燃性材料，廢舊雪櫃應與火源隔絕，不能燃燒處理。請交給具有資質的專業回收公司處理。以避免對環境造成危害或引發其它危險。

 本雪櫃廢棄不用時，請將本雪櫃門卸掉，並拆下門封條及擱物架，將門與擱物架放到合適的位置，以免兒童進入玩耍，發生意外。

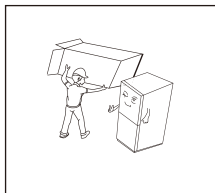


正確處理該產品：

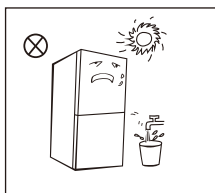
這種標誌表示在整個歐盟中，這種產品不宜與其它家庭垃圾一起處理。為避免因為不受控制的垃圾處理而對環境或人身健康造成潛在傷害，回收垃圾以促進材料資料的可持續重複利用。要想回收用過的設備，請使用回收或收集系統或聯繫產品零售商。他們可以確保該產品回收環保安全。

2 如何正確使用雪櫃

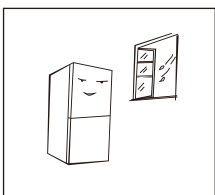
2.1 正確放置雪櫃



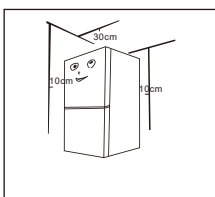
- 使用雪櫃前，除去所有包裝物，包括底座墊和雪櫃內部的泡沫墊塊、膠紙等，撕除門體和箱體上的保護膜。



- 遠離熱源，避免陽光直射。勿放置在潮濕或有水的地方，防止生鏽或削弱絕緣效果。
- 不要用水噴淋，沖洗雪櫃，也不要將其放置在潮濕、易濺上水的地方，以免影響雪櫃產品的電氣絕緣性能。



- 將雪櫃放置在室內通風良好的地方，地面平坦、堅固（如有不平穩，可向左或向右旋轉調平腳調平）。



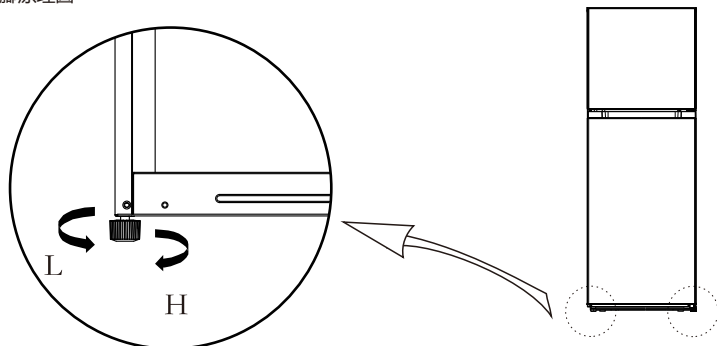
- 雪櫃頂部空間大於30cm，兩側及背部與牆的距離大於10cm，便於雪櫃門的開合和熱量散發。

❗ 安裝前提示：

在嘗試安裝或調試之前，必須保證雪櫃不接通電源。
請做好防護，以免造成人身傷亡。

2.2 調平櫃腳

調平櫃腳原理圖






(以上圖片僅供參考，實際配置以購買實物或銷售商聲明為準)

調節步驟：

- 底腳順時針旋轉雪櫃升高；
- 底腳逆時針旋轉雪櫃降低；
- 根據上述步驟，將雪櫃兩底腳調節至水準高度即可。

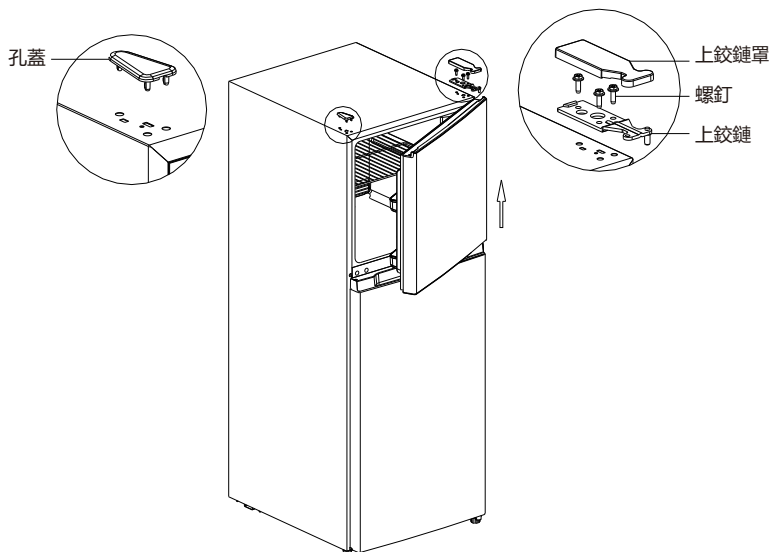
2.3 左右換門

用戶提供的工具列表			
	十字螺絲刀		油灰刀 薄刀螺絲刀
	5/16套筒和棘輪		遮蔽膠帶

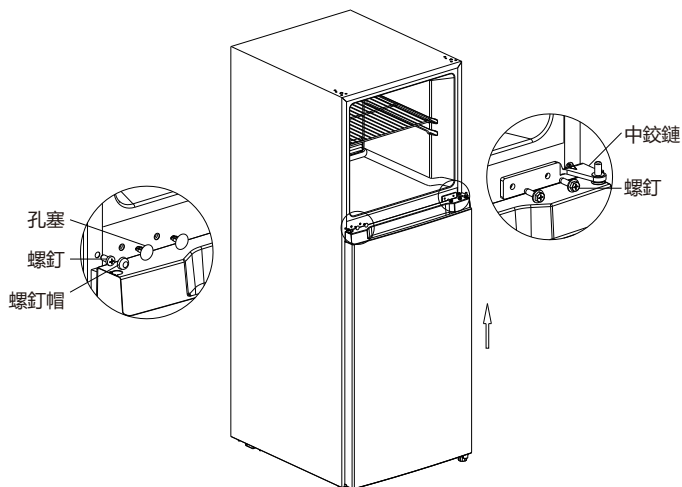
左右換門配件明細			
序號	零件名稱	數量	備註
1	右上鉸鏈	1	預裝在雪櫃上，換門時取下，留存
2	右上鉸鏈罩	1	預裝在雪櫃上，換門時取下，留存
3	上鉸鏈輪套	1	預裝在雪櫃上，換門時仍需使用
4	上鉸鏈螺釘	3	預裝在雪櫃上，換門時仍需使用
5	孔蓋	1	預裝在雪櫃上，換門時仍需使用
6	中鉸鏈螺釘	2	預裝在雪櫃上，換門時仍需使用
7	中鉸鏈	1	預裝在雪櫃上，換門時仍需使用
8	孔塞	2	預裝在雪櫃上，換門時仍需使用
9	中梁螺釘	1	預裝在雪櫃上，換門時仍需使用
10	中梁螺釘帽	1	預裝在雪櫃上，換門時仍需使用
11	櫃腳	1	預裝在雪櫃上，換門時仍需使用
12	下鉸鏈螺釘	3	預裝在雪櫃上，換門時仍需使用
13	下鉸鏈組件	1	預裝在雪櫃上，換門時仍需使用
14	冷凍門下端蓋螺釘	1	預裝在雪櫃上，換門時仍需使用
15	冷凍門下端蓋限位塊	1	預裝在雪櫃上，換門時仍需使用
16	冷藏門下端蓋螺釘	1	預裝在雪櫃上，換門時仍需使用
17	冷藏門下端蓋限位塊	1	預裝在雪櫃上，換門時仍需使用
18	冷藏門上端蓋軸套	1	預裝在雪櫃上，換門時仍需使用

1) 將物品從門體中移出。

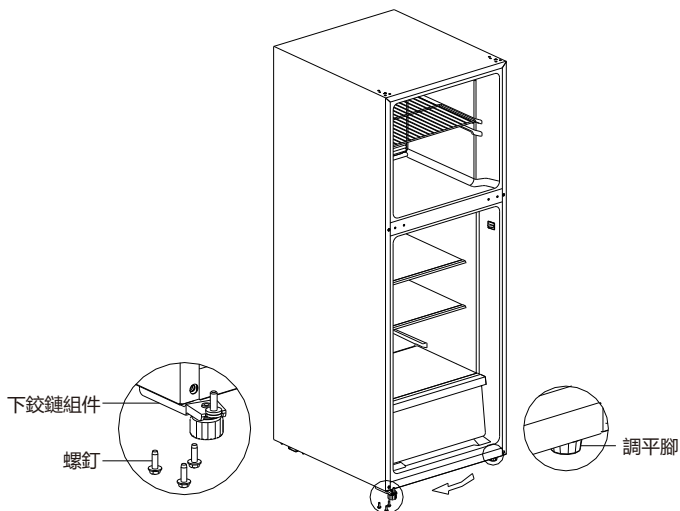
2) 取下右上鉸鏈罩，擰下上鉸鏈螺釘，取下上鉸鏈、上鉸鏈軸套、左側孔蓋，取下冷凍門體。



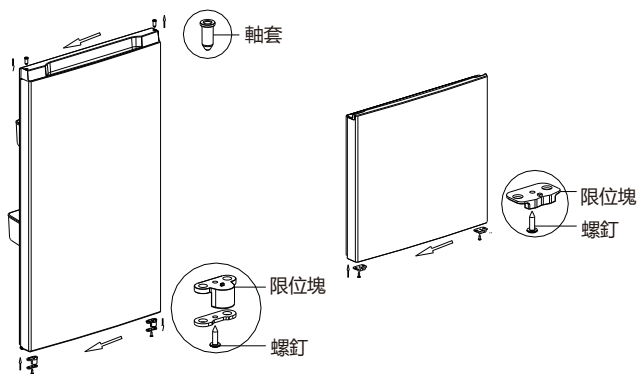
3) 擰下中鉸鏈螺釘，拆下中鉸鏈，取下中梁上的2個孔塞、一個螺釘、一個螺釘帽，取下冷藏門體。



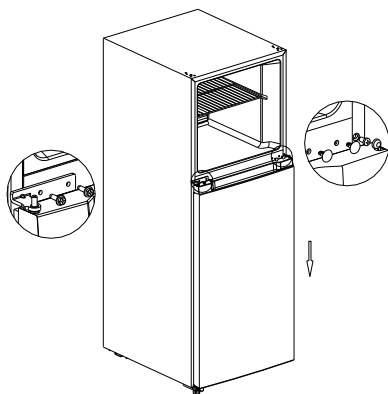
4) 取下調平腳、下鉸鏈螺釘及下鉸鏈組件，將下鉸鏈組件安裝在箱體另一側，調平腳安裝在箱體開門側。



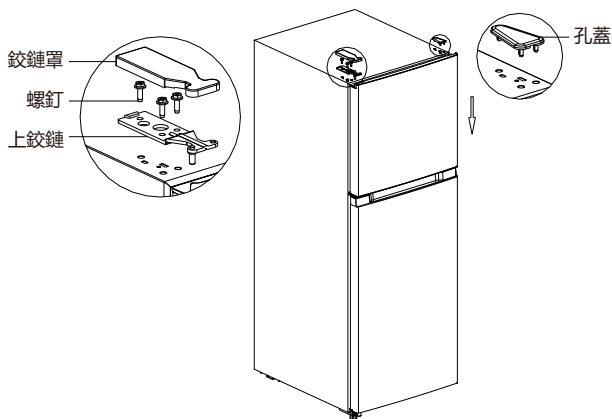
5) 將兩個門體下端蓋上的螺釘、限位塊拆下，依次裝在門體另一側。冷藏室門上端蓋上的軸套安裝到另一側。



6) 將冷藏門安裝在下鉸鏈上，然後安裝好中鉸鏈和孔蓋。



7) 將冷凍室門體放置在中鉸鏈上，安裝上鉸鏈、鉸鏈罩、孔蓋。

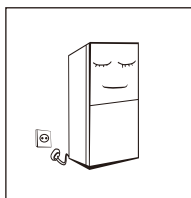


(以上圖片僅供參考，實際配置以購買實物或銷售商聲明為準)

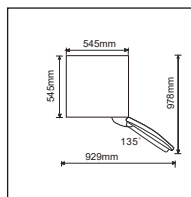
2.4 燈部更換

LED燈的任何更換或維護均應由製造商、服務代理商或類似的合格人員進行更換。

2.5 啟動



- 雪櫃首次啟動請靜置兩小時後再插上電源。
- 在裝入新鮮或冷凍食品前，先讓雪櫃運行2~3小時；夏季環境溫度較高，應先讓雪櫃充分運行4小時以上。



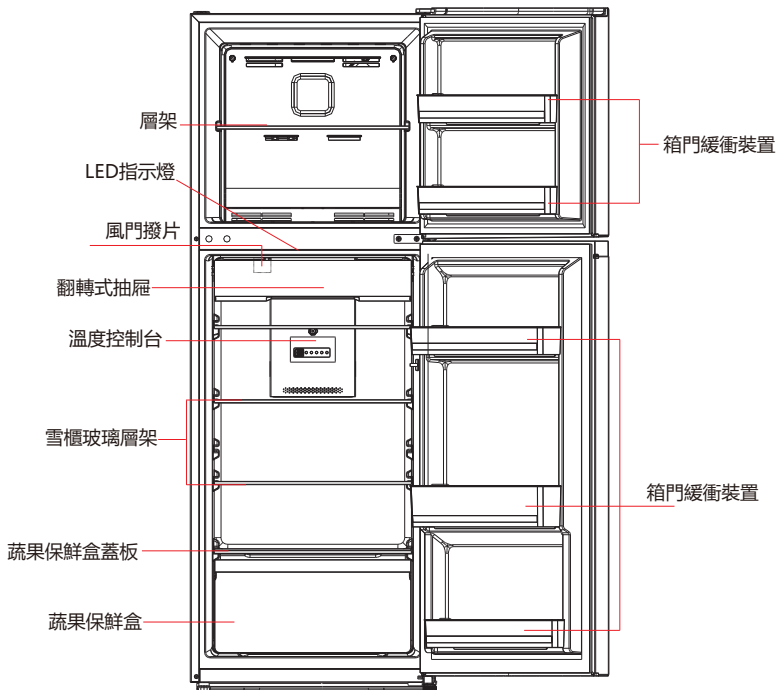
- 為保障開門順暢及抽屜等取出方便，請留出足夠的空間或以銷售商聲明為準。

2.6 節能提示

- 雪櫃應安放在房間最涼爽的區域，遠離發熱電器或加熱管道，並避免陽光直射。
- 在放入雪櫃之前，讓熱的食物冷卻至室溫。設備超載會迫使壓縮機運行更長時間。冷凍過慢的食物可能會變質。
- 將食物妥善包裹並擦乾容器，然後再將其放入雪櫃。這樣可以減少設備內部積霜。
- 請勿將鋁箔、蠟紙或紙巾放在任何雪櫃儲物箱內。以免干擾冷空氣迴圈，降低冷卻效率。
- 妥善整理食物並貼上標籤，以減少開門次數，方便快速拿到食物。一次取出所有需要的食物，並儘快關上雪櫃門。

3 產品結構和功能

3.1 關鍵部件



(以上圖片僅供參考，實際配置以購買實物或銷售商聲明為準)

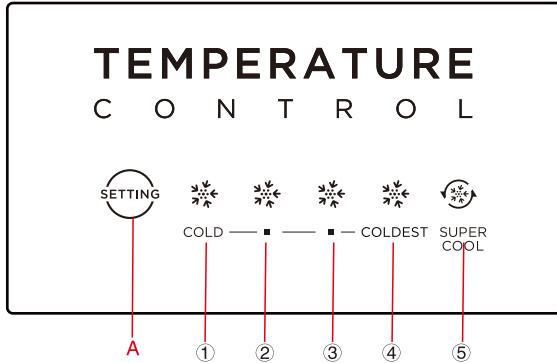
冷藏室

- 冷藏室適宜存放各種水果、蔬菜、飲料等短期內食用的食品。
- 烹調類食品冷卻至室溫後放入冷藏室冷藏。
- 食品在放入本電器產品之前最好將其密封起來。
- 玻璃層架可以上下活動調整位置來達到合理的儲存空間，方便使用。

冷凍室

- 冷凍室低溫可以長時間保持食品新鮮狀態。主要用來儲存冷凍食品及製作冰塊。
- 冷凍室適宜存放肉類、魚蝦等短期不食用的食品。
- 大塊的肉類儘量分割成小塊再放入，便於快速冷凍和取用。請注意在產品有效保質期內食用。

3.2 功能介紹



(以上圖片僅供參考，實際配置以購買實物或銷售商聲明為準)

1) 按鍵

A: SET按鍵

2) 顯示幕

②LED: 1段(COLD)

③LED: 2段

④LED: 3段

⑤LED: 4段(COLDEST)

⑥LED: 5段(SUPER COOL)

3) 顯示

- 雪櫃通電時，顯示幕所有LED燈全亮3秒，然後按3段 (MID)運行。
- 有故障時按下表LED燈組合顯示；無故障時顯示雪櫃當前運行段位。

故障代碼	故障描述
⑤+④LED閃爍	冷藏感測器故障
⑤+③LED閃爍	冷凍化霜感測器故障
⑤+②LED閃爍	環溫感測器故障

4) 段位設定

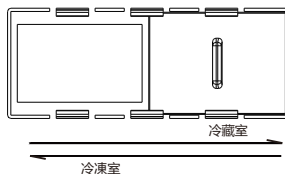
每按SET鍵一次，段位改變一次，設定完段位15秒後，雪櫃將按照設定值運行。

段位調節順序為：



5) 此雪櫃有斷電記憶功能。

6) 風門撥片調節



風門撥片的原始位置位於最右側。

為方便用戶使用，建議將撥片推到右側位置，並將“設置鍵”撥到中間位置。如雪櫃內溫度還不夠低，請檢查撥片是否位於左側位置，如是，將撥片撥到右側。

4 電器的維護及保養

4.1 產品整體清潔

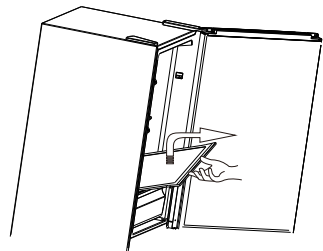
- 雪櫃背後及周圍的灰塵請按時清理，以提高散熱效果，同時利於節能。
- 定期檢查門封條，確保清潔沒有雜物。用蘸有肥皂水或稀釋後的清潔劑的軟布清潔門封條。
- 雪櫃內部應經常清潔以免產生異味。
- 清潔雪櫃內部前請先關掉電源，取出所有食物，酒飲，層架，抽屜等。
- 清潔雪櫃內膽請使用軟布或者海綿，可以用兩湯匙小蘇打和一夸脫溫水溶液先清潔一遍，再用清水清洗並擦拭乾淨，清潔完畢後打開門體自然乾燥後再接通電源。
- 對於雪櫃內不易清潔區域（如窄小的夾層、縫隙或拐角），建議用軟布、軟毛刷等和一些必要的輔助工具（如細棍等）進行定期清潔，確保無污染物或細菌聚集。
- 不要使用肥皂，清潔劑，噴霧清潔劑等清潔內膽，因為這些可能會產生異味或污染食物。
- 用蘸有肥皂水或稀釋後的清潔劑的軟布清洗瓶框，層架和抽屜等，然後用軟布擦乾或自然晾乾。
- 用蘸有肥皂水，清潔劑等的軟布擦拭雪櫃外表面，然後用軟布擦乾。
- 清潔時請勿使用硬質毛刷、鋼絲球、鋼絲刷、研磨劑（如牙膏）、有機溶劑（如酒精、丙酮、香蕉水等）、開水、酸鹼性物品，有可能會損傷雪櫃表面及內膽。沸水和苯等有機溶劑可能會使塑膠部件變形或損壞。
- 清潔時不要用水或其它液體直接沖洗，以免浸泡後造成短路或影響電氣絕緣性能。



⚠ 雪櫃進行除霜和清潔時，請先拔下電源插頭。

4.2 玻璃層架清潔

- 向上抬起玻璃層架，並向外取出；
- 將玻璃層架抽出，根據需要清潔；
- 按取出逆方向安裝玻璃層架即可。



4.3 除霜

- 此雪櫃為風冷原理電器，有自動除霜功能，由於季節或溫度變化，雪櫃內部會有結霜現象，可通過斷電或乾淨毛巾拭擦方式進行手動除霜；

4.4停止使用時處理方法

- 停電時：停電時即使在夏季，食品仍然可以保存幾個小時；期間應儘量減少開門次數，不宜再放入新鮮食品。
- 長時間不使用時：應拔下電源，再對電器進行清潔，並保持雪櫃門敞開，以防止其產生不良氣味。
- 移動雪櫃時：移動雪櫃前取出內部所有物品，用膠帶將玻璃隔板、果菜盒、冷凍室抽屜等固定好、扭緊可調平腳；關緊雪櫃門、用膠帶固定，以免移動時門打開。搬運時請勿倒置、橫放、震動雪櫃，搬運時傾角不可大於45°。

 電器一旦啟用後，最好連續使用，一般情況下不要停用，以免影響其使用壽命。

5 答疑解惑

對以下一些簡單的問題，您可以嘗試自己動手解決。若沒有改觀，請致電售後服務部門。

雪櫃不工作	電源是否接通，插頭是否插牢 電壓是否過低 是否停電或者部分電路跳開
雪櫃有異味	有氣味的食品應該嚴密包住 檢查是否有食品腐爛 雪櫃內部需要清潔
壓縮機長時間工作	夏季環境溫度高，雪櫃工作時間長屬於正常現象 一次性放入食品不宜過多 食品冷卻後再放入雪櫃 開啟雪櫃門次數過於頻繁
雪櫃燈不亮	雪櫃是否通電，照明燈是否損壞 照明燈由專業人員更換
雪櫃門關不上	食物包裝卡住門使門無法關上 放入的食品太多 雪櫃歪斜
雜訊大	地面是否平坦，雪櫃放置是否平穩 雪櫃附件是否放在正常位置
門封有閃縫	清除門封上異物 加熱門封使其冷卻後復原（用電吹風或用熱毛巾）
接水盤溢水	箱內食品存放過多或水分過大，導致化霜水量大 門未關到位等原因導致空氣進入結霜，化霜產生的水增加
雪櫃外殼發熱	內置冷凝器在內部通過外殼散熱，屬於正常現象 環境溫度過高，存放食品過多或壓縮機停機時間段等都或導致外殼發熱注意 通風散熱
外表凝露	環境濕度過高時，箱體外表和門縫表面會有凝露現象 屬於正常現象，用乾淨毛巾拭擦即可
雪櫃有異音	嗡嗡聲：壓縮機工作時會產生嗡嗡聲，啟動或停機時聲音較大，屬於正常現象 吱吱聲：電器內部製冷劑流動時會產生吱吱聲，屬於正常現象

參數

型號		GRMF330IX
氣候等級		ST
觸電保護型		I
容量 (L)	二星級雪櫃	\
	雪櫃	61
	冷藏室	176
電壓 (V)		220-240
頻率 (Hz)		50
額定電流 (A)		1.2
噪音 [dB(A)]		≤43
能源消耗 (kWh/year)		236
製冷劑		R600a/42g
重量 (kg)		46
室內溫度(°C)	雪櫃	\
	冷藏室	\
產品尺寸(mm)	長	545
	寬	610
	高	1522

注：產品會不時改進，零件如有更改，恕不另行通知。